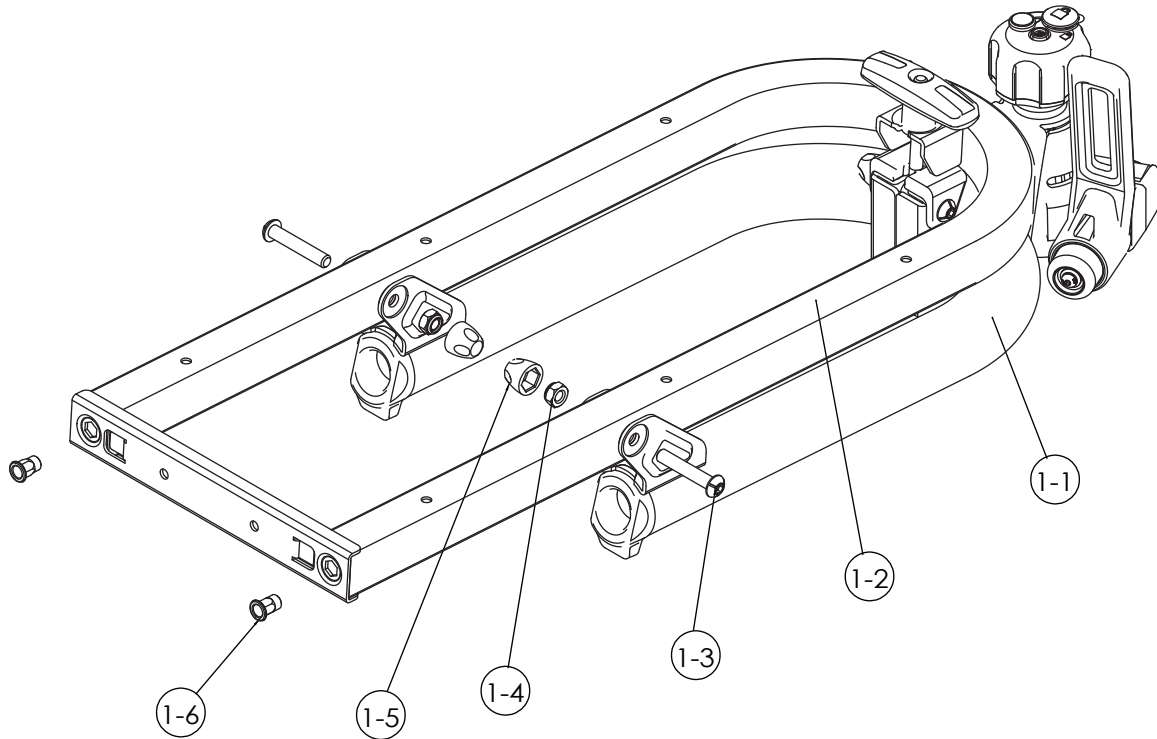
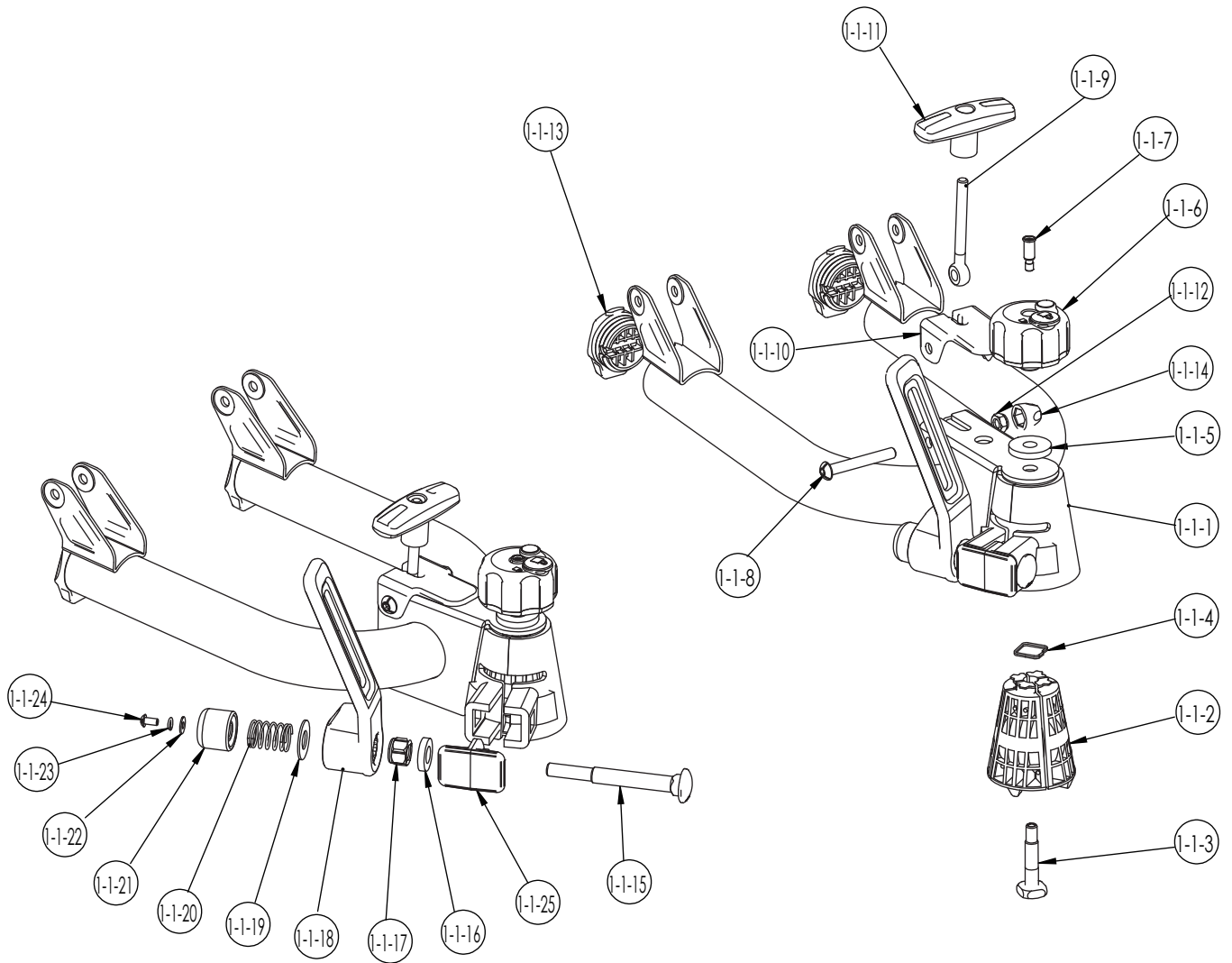


PART	DESCRIPTION	PART NUMBER	QTY.	PACK SIZE	PART	DESCRIPTION	PART NUMBER	QTY.	PACK SIZE
1	Foot assembly		1		21				
2	Platform assembly		1		22				
3	Bottom head screw M6x65mm	140-1106-029-04D	6		23				
4	Plastic washer	130-00445-01C	6		24				
5	Washer	142-1065-003-04D	6		25				
6	Nylock nut	141-0106-001-04D	6		26				
7	Wheel support assembly		6		27				
8	Light assembly	3505-00055-99C	1		28				
9	Washer	142-1065-003-04D	2		29				
10	Spring washer	142-2006-001-04D	2		30				
11	Bottom head screw M6x25mm	140-1106-005-04D	2		31				
12	Key	147-01905-99D	1		32				
13	Safety strap	3522-00072-03C	1		33				
14	T-wrench	132-00022-05C	1		34				
15	Allen key	144-00004-06D	1		35				
16	C-clip	130-00755-01C	1		36				
17	Lock Clip 1.0"	3509-00245-16C	1		37				
18	Locking cable	3510-00040-99C	1		38				
19					39				
20					40				



PART	DESCRIPTION	PART NUMBER	QTY.	PACK SIZE
1-1	Conic Foot Assembly		1	
1-2	Square tube welding		1	
1-3	Button head screw	140-1108-016-04D	2	
1-4	Nylock nut	141-0108-001-04D	2	
1-5	Cap	130-00459-01C	2	
1-6	Rivet nut	141-0606-001-19D	2	
1-7				
1-8				
1-9				
1-10				

PART	DESCRIPTION	PART NUMBER	QTY.	PACK SIZE



PART	DESCRIPTION	PART NUMBER	QTY.	PACK SIZE
1-1-1	Conic Foot Assembly		1	
1-1-2	Conical clamps	118-00146-00	4	
1-1-3	Square screw	140-0510-002-04D	1	
1-1-4	Square spring	145-00055-13D	1	
1-1-5	Washer	142-1105-003-04D	1	
1-1-6	Locking knob	3503-00127-99C	1	
1-1-7	Retainer	3509-00332-99C	1	
1-1-8	Button head screw	140-1108-012-04D	1	
1-1-9	Eye screw	140-2208-001-04D	1	
1-1-10	Safety cover	130-00789-16C	1	
1-1-11	T-knob	3503-00126-16C	1	
1-1-12	Nylock nut	141-0108-001-04D	1	
1-1-13	End cap	130-00705-01C	2	
1-1-14	Cap	130-00459-01C	1	
1-1-15	Carriage bolt M12	140-0112-008-04D	1	
1-1-16	Washer	142-1130-005-04D	1	
1-1-17	Nylock nut	141-0112-003-04D	1	
1-1-18	Wrench	3209-00369-16C	1	
1-1-19	Washer	142-1141-001-04D	1	
1-1-20	Spring	145-00034-13D	1	

PART	DESCRIPTION	PART NUMBER	QTY.	PACK SIZE
1-1-21	Bushing	130-00728-01C	1	
1-1-22	Washer	142-1053-001-04D	1	
1-1-23	Spring washer	142-2005-001-04D	1	
1-1-24	Button head screw	140-1105-004-04D	1	
1-1-25	Conic protector	130-00609-01C	1	
1-1-26				
1-1-27				
1-1-28				
1-1-29				
1-1-30				

