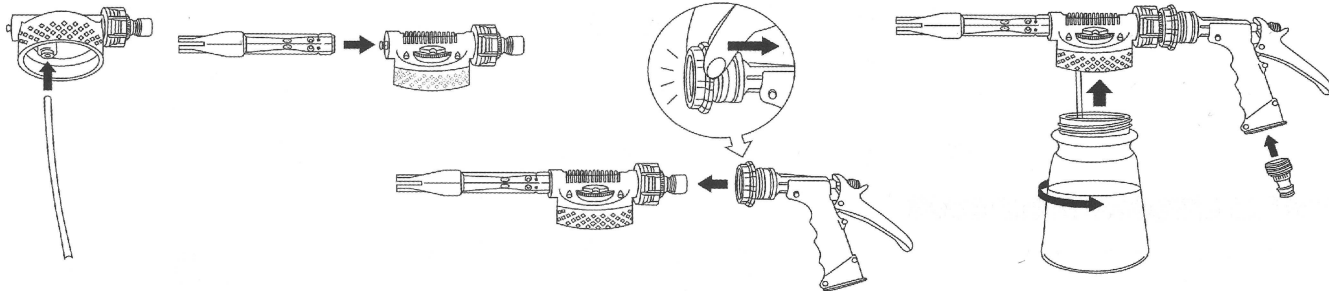


NEW CAR FOAM GUN

● Assembly

1. Plug the siphon pipe ⑦ into the connector ④ of compressed-air pipe under the mixing head ①.
2. Align four small protuberant parts of foaming stick ⑥ with four grooves of mixing head ③, and then insert the foaming stick into ③.
3. Install the quick coupling of pistol grip ① onto the quick connector of mixing head ③ tightly.
4. Tighten the quick connector ② and then attach it to the pistol grip.
5. Fill an amount of detergent into the bottle and then fix the bottle to the mixing head.



● Usage Method

1. Please read the instruction manual carefully and assemble the New Foam gun properly.
2. Infuse right amount of washing fluid.(The capacity of the bottle is 900ml.)
3. Please assemble the Hose Kit to the tap water pipe and New Foam Gun in right way.
4. To layout diagram and adjust the graduation according to the ratio.
5. Open the tap water faucet.
6. Hold the controlling pole of Foam Gun with nozzle aiming at the object and spray foam.
7. Lay it for a proper time and then offload the foam gun and wash it.
8. Remove the dirty water with rubber cleaner and then wipe it with clean rag or scrap cotton yarn.
9. You must hold the controlling pole of gun closely and control the moisture after close the tap water faucet.

● Attentions

1. Joint with the tap water faucet. Please confirm the connections tight carefully to avoid any leak.
2. Please discharge the Hose Kit from the water faucet and Foam Gun when you don't use it. Pack the House Kit after getting rid of water and clear it and then keep it in the incidental thread splice bushing.
3. When the tap water faucet is open up, pls don't demount the tube or hold the Foam gun in improper way.
4. Never mix with other kinds of detergents.
5. Please don't use it on human being .
6. It is better to wear rubber gloves and protective glasses when you use it.
7. Please don't use it for other purpose.
8. Please read the attentions of washing products and emergency measures.

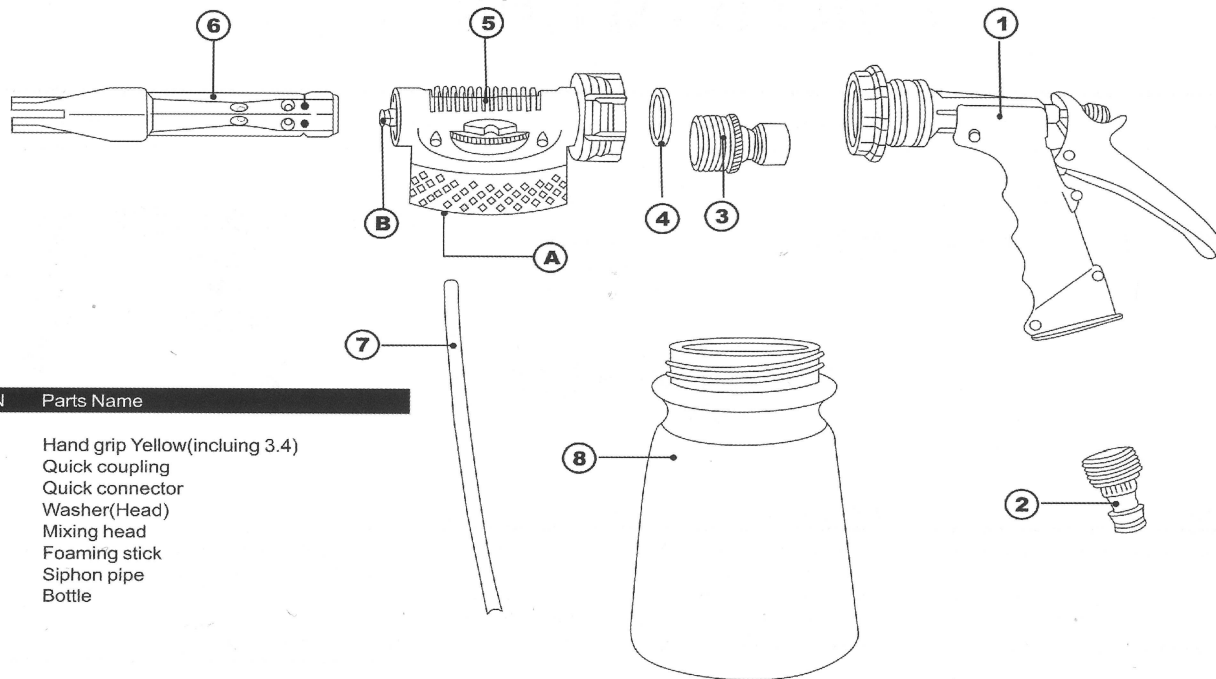
9. Please pay attention to the possible liquid leak when lay down the Foam Gun which loaded with detergent.

● Maintenance

In order to avoid failures, the NEW Foam gun must be cleaned after use.

1. Fill clean water into the cleaned bottle to clean the mixing head a few minutes.
2. To prevent the coagulation of detergent after drying, please clean the mixing head after immersion in water.

● Disassembly Picture



SN Parts Name

- | SN | Parts Name |
|----|---------------------------------|
| 1 | Hand grip Yellow(including 3.4) |
| 2 | Quick coupling |
| 3 | Quick connector |
| 4 | Washer(Head) |
| 5 | Mixing head |
| 6 | Foaming stick |
| 7 | Siphon pipe |
| 8 | Bottle |

Process of washing vehicle:

1. First flush the vehicle wholly with this water gun.
2. Connect the foamed gun head with the water gun. Spray out foam well proportioned onto the vehicle body.
3. Wipe the vehicle body with sponge
4. Offload the foamed gun head and washing the vehicle body clearly with water gun.
5. Wipe the vehicle body with clean rag. The vehicle would look brand-new.

The assembly drawing of Foam Gun:

- a. Foam gun pipe b. Foam gun body c. Washing liquid container
d. water gun

1. Connect the water gun with the foam gun body.
2. Connect the foam gun body with gun pipe
3. Finish a completed foam gun to washing vehicle
4. Connect the water gun jointer with the Hose Kit
5. Connect the Hose Kit with Tap water faucet and then you can use it now.

● Water pressure: 2.5 bars to 6 bars.

● Can use the Tuning Dial to adjust the dilution ratio

Position of Tuning dial	0	1	2	3	4	5
Standard ratio	0	20	30	40	100	300