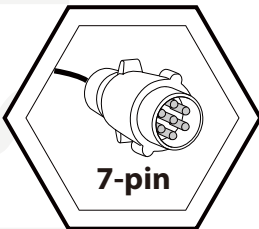
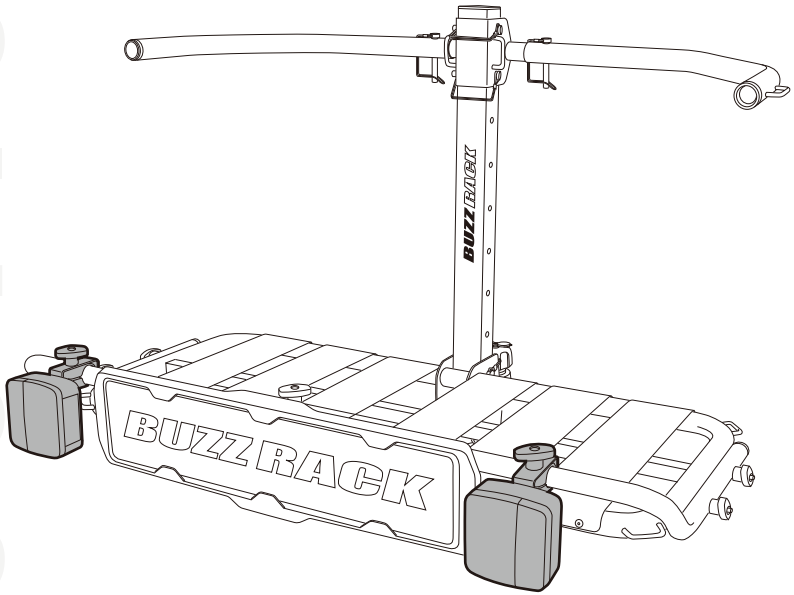


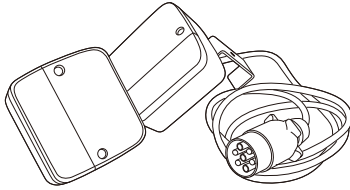
# **BUZZRACK**



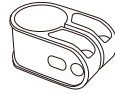
## **LIGHT KIT for BUZZPRO P10**

# PART LIST

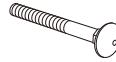
x1



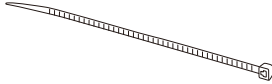
x2



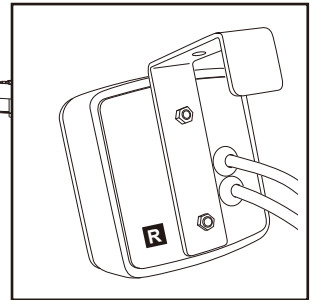
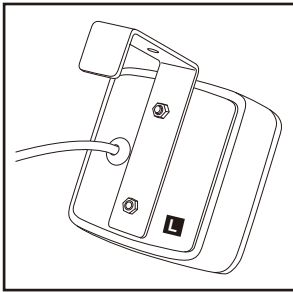
x2



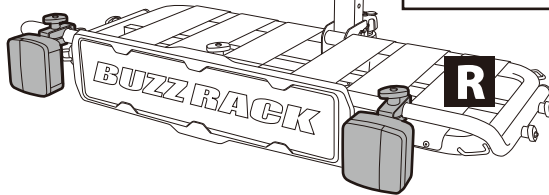
x3



x2

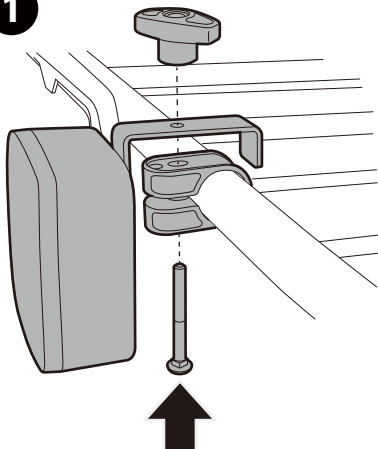


L

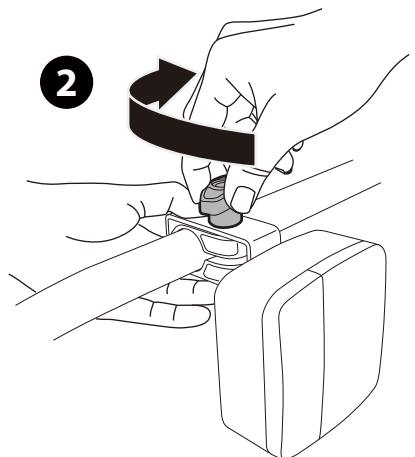


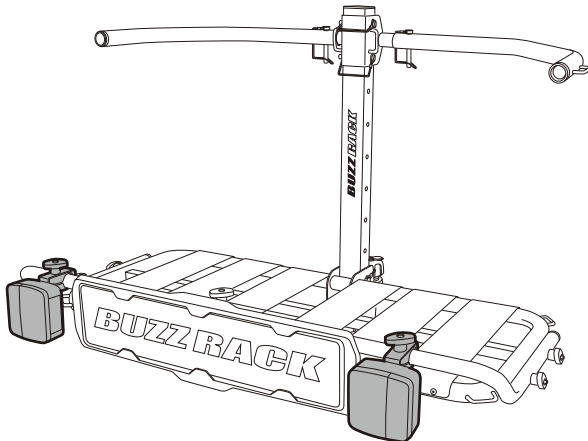
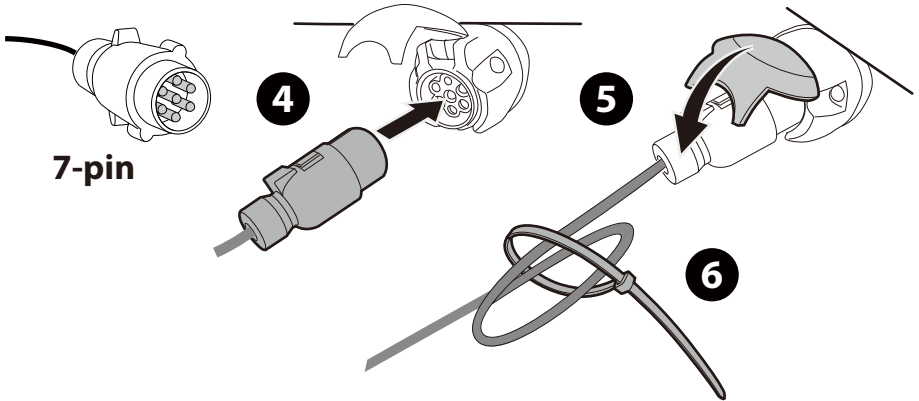
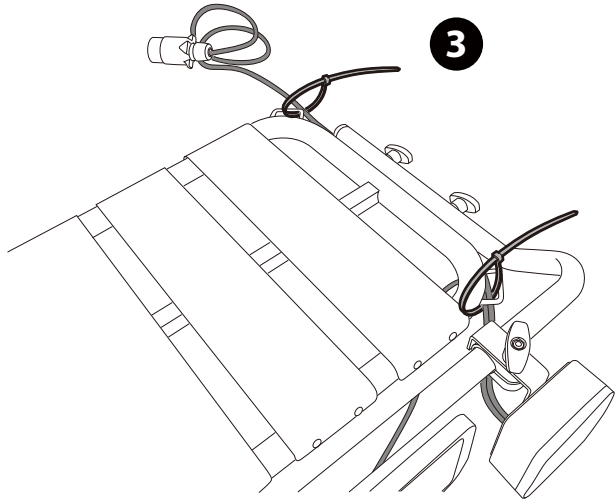
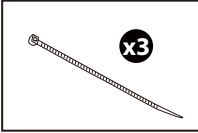
R

1



2







+

+

+

+

+

+

**BUZZ RACK**

[www.buzzrack.com](http://www.buzzrack.com)